

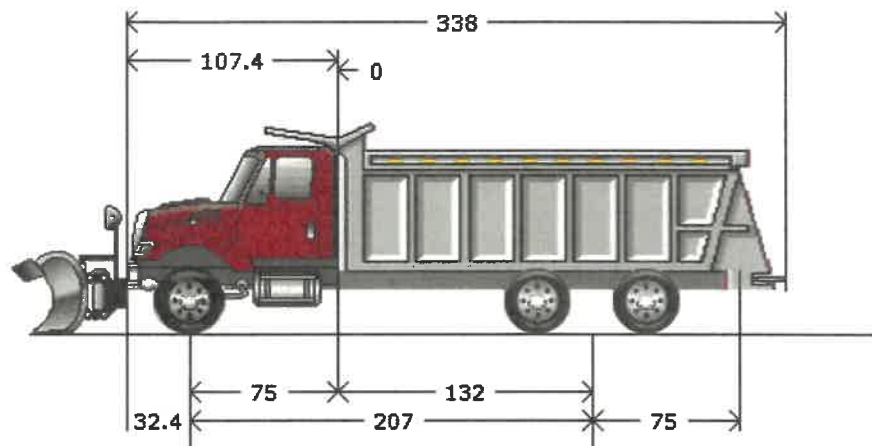
**Prepared For:**  
 STORY COUNTY  
 Darrin Moon  
 837 N Ave.  
 Nevada, IA 50201-1411  
 (641)382 - 7355  
 Reference ID: N/A

**Presented By:**  
 O'HALLORAN INTERNATIONAL  
 Shane Broderick  
 3311 ADVENTURELAND DRIVE  
 ALTOONA IA 50009 -  
 (515)967-3300

Charlie,

Here is the pricing for a new tandem axle International HV507 using the National Sourcewell Program that the State of Iowa has used the last several years to purchase their equipment. This pricing also includes equipment pricing from Hawkeye Truck Equipment. Thank you for the opportunity to quote this and let me know if you have any questions.

\$145,186.00 2025 International HV507 6x4  
 \$160,128.00 Hawkeye Truck Equipment Quote #25346  
 \*\*\*\*\*  
 \$305,314.00 Complete truck and body pricing



**Model Profile**  
**2025 HV507 SFA (HV507)**

**AXLE CONFIG:** 6X4  
**APPLICATION:** Front Plow and Wing with Spreader  
**MISSION:** Requested GVWR: 66000. Calc. GVWR: 60000. Calc. GCWR: 80000  
**DIMENSION:** Wheelbase: 207.00, CA: 132.00, Axle to Frame: 75.00  
**ENGINE, DIESEL:** {Cummins L9 370} EPA 2021, 370HP @ 2100 RPM, 1250 lb-ft Torque @ 1200 RPM, 2100 RPM Governed Speed, 370 Peak HP (Max)  
**TRANSMISSION, AUTOMATIC:** {Allison 4000 RDS} 6th Generation Controls, Close Ratio, 6-Speed with Double Overdrive, with PTO Provision, Less Retarder, Includes Oil Level Sensor, On/Off Highway  
**CLUTCH:** Omit Item (Clutch & Control)  
**AXLE, FRONT NON-DRIVING:** {Meritor MFS-20-133A} Wide Track, I-Beam Type, 20,000-lb Capacity  
**AXLE, REAR, TANDEM:** {Meritor MT-40-14X-4DCR-P} Single Reduction, 40,000-lb Capacity, with Lube Oil Pump, .433"(11mm) Wall Housing Thickness, Driver Controlled Locking Differential in Forward-Rear and Rear-Rear Axle, R Wheel Ends Gear Ratio: 5.29  
**CAB:** Conventional, Day Cab  
**TIRE, FRONT:** (2) 425/65R22.5 Load Range L HAC 3 (CONTINENTAL), 465 rev/mile, 68 MPH, All-Position  
**TIRE, REAR:** (8) 11R22.5 Load Range H HDR2+ (CONTINENTAL), 491 rev/mile, 75 MPH, Drive  
**SUSPENSION, REAR, AIR, TANDEM:** {Hendrickson HAS-402-55} 40,000-lb Capacity, 55" Axle Spacing, 9.5" Ride Height, with Shock Absorbers, Mounted Inboard  
**PAINT:** Cab schematic 100WK

Approved by:

Recommended for approval by:

*Darren Moon* 1-24-23  
 Darren R. Moon, P.E. Date

Board of Supervisors Date